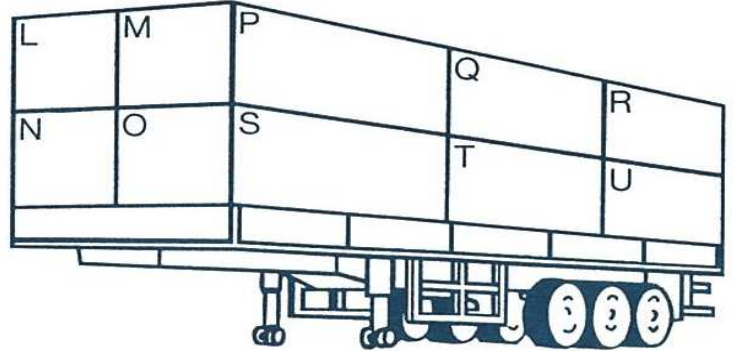
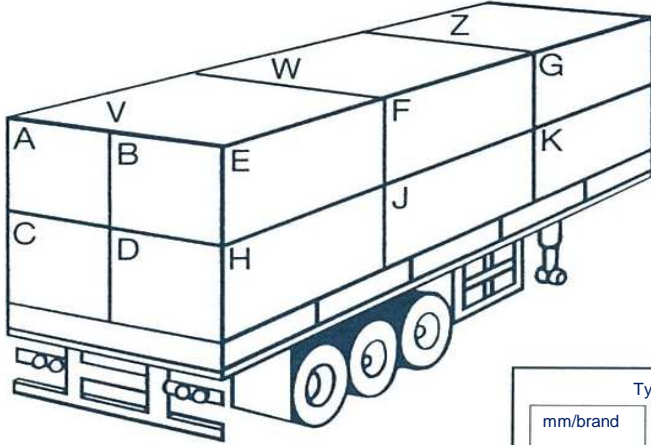


EQUIPMENT REPORT

Unit. No:	Loaded in damaged condition	YES		NO	
Picked up in:	Unloaded in damaged condition	YES		NO	

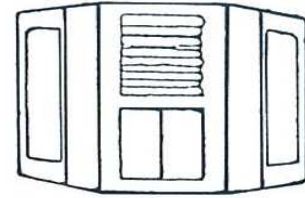
Use the following symbols: D - Dent, T - Tear, M - Missing, C - Cut, B - Bent



Tyre check

mm/brand	mm/brand
mm/brand	mm/brand
mm/brand	mm/brand

↑



FRIDGE UNIT
ON / OFF

EQUIPMENT CONDITION	TRAILER OK	DAMAGED	MISSING
TARPAULIN			
TIR-cord			
SIDE BOARD			
STANCHIONS			
FRONT & REAR DOOR			
TILT FRAME			
PLANKS & FLOOR			
BREAKS			
LANDING LEGS			
AIR COUPLING			
REAR BUMPER			
REEFER ENGINE			
LIGHTS / WIRING			
SPANSETS			
Comments:	Checked by:		
	Data/time:		

In case this report is not filled out prior to your departure, you will be held responsible for all damages and missing parts that are found at your point of destination.